

Instruction manual

Page 3

IMPORTANT: Read and understand all instructions before using.

Orbit Sander

Guide d'utilisation

Page 12

IMPORTANT: Lire et comprendre toutes les instructions avant de démarrer les travaux.

Ponceuse vibrante

Manual de instrucciones

Pagina 22

IMPORTANTE: Lea y comprende todas las instrucciones antes de usar.

Lijadora vibratoria

Instruction manual
Guide d'utilisation
Manual de instrucciones

RS 2
RS 2E



Contents

SAFETY INSTRUCTIONS	3
General Power Tool Safety Warnings	3
Machine-related safety instructions	4
Technical data	5
Symbols	5
Intended use	5
Electrical connection and operation	5
Electronics (RS 2 E)	6
Dust extraction	6
Inboard extraction	6
External extraction by an extraction unit	6
Sanding pad	7
Abrasives	7
Stickfix abrasives	7
Clamped sandpaper	7
Working with the machine	8
Metalworking	8
Speed adjustment (RS 2 E)	8
Maintenance and care	9
Accessories, tools	9
Additional handle	9
Systainer	10
Warranty	10

SAFETY INSTRUCTIONS

General Power Tool Safety Warnings



WARNING! Read all safety warnings and all instructions. Failure to follow the warnings and instructions may result in electric shock, fire and/or serious injury.

Save all warnings and instructions for future reference.

The term “power tool” in the warnings refers to your mains-operated (corded) power tool or battery-operated (cordless) power tool.

1) Work area safety

- Keep work area clean and well lit.** Cluttered or dark areas invite accidents.
- Do not operate power tools in explosive atmospheres, such as in the presence of flammable liquids, gases or dust.** Power tools create sparks which may ignite the dust or fumes.
- Keep children and bystanders away while operating a power tool.** Distractions can cause you to

lose control.

2) Electrical safety

- Power tool plugs must match the outlet. Never modify the plug in any way. Do not use any adapter plugs with earthed (grounded) power tools.** Unmodified plugs and matching outlets will reduce risk of electric shock.
- Avoid body contact with earthed or grounded surfaces, such as pipes, radiators, ranges and refrigerators.** There is an increased risk of electric shock if your body is earthed or grounded.
- Do not expose power tools to rain or wet conditions.** Water entering a power tool will increase the risk of electric shock.
- Do not abuse the cord. Never use the cord for carrying, pulling or unplugging the power tool. Keep cord away from heat, oil, sharp edges or moving parts.** Damaged or entangled cords increase the risk of electric shock.
- When operating a power tool outdoors, use an extension cord suitable for outdoor use.** Use of a cord suitable for outdoor use reduces the risk of electric shock.
- If operating a power tool in a damp location is unavoidable, use a residual current device (RCD) protected supply.** Use of an RCD reduces the risk of electric shock.

3) Personal safety

- Stay alert, watch what you are doing and use common sense when operating a power tool. Do not use a power tool while you are tired or under the influence of drugs, alcohol or medication.** A moment of inattention while operating power tools may result in serious personal injury.
- Use personal protective equipment. Always wear eye protection.** Protective equipment such as a dust mask, non-skid safety shoes, hard hat, or hearing protection used for appropriate conditions will reduce personal injuries.
- Prevent unintentional starting. Ensure the switch is in the off-position before connecting to power source and/or battery pack, picking up or carrying the tool.** Carrying power tools with your finger on the switch or energising power tools that have the switch on invites accidents.
- Remove any adjusting key or wrench before turning the power tool on.** A wrench or a key left attached to a rotating part of the power tool may result in personal injury.
- Do not overreach. Keep proper footing and balance at all times.** This enables better control of

the power tool in unexpected situations.

f) **Dress properly. Do not wear loose clothing or jewellery. Keep your hair and clothing away from moving parts.** Loose clothes, jewellery or long hair can be caught in moving parts.

g) **If devices are provided for the connection of dust extraction and collection facilities, ensure these are connected and properly used.** Use of dust collection can reduce dust-related hazards.

h) **Do not let familiarity gained from frequent use of tools allow you to become complacent and ignore tool safety principles.** A careless action can cause severe injury within a fraction of a second.

4) Power tool use and care

a) **Do not force the power tool. Use the correct power tool for your application.** The correct power tool will do the job better and safer at the rate for which it was designed.

b) **Do not use the power tool if the switch does not turn it on and off.** Any power tool that cannot be controlled with the switch is dangerous and must be repaired.

c) **Disconnect the plug from the power source and/or the battery pack from the power tool before making any adjustments, changing accessories, or storing power tools.** Such preventive safety measures reduce the risk of starting the power tool accidentally.

d) **Store idle power tools out of the reach of children and do not allow persons unfamiliar with the power tool or these instructions to operate the power tool.** Power tools are dangerous in the hands of untrained users.

e) **Maintain power tools and accessories. Check for misalignment or binding of moving parts, breakage of parts and any other condition that may affect the power tool's operation. If damaged, have the power tool repaired before use.** Many accidents are caused by poorly maintained power tools.

f) **Keep cutting tools sharp and clean.** Properly maintained cutting tools with sharp cutting edges are less likely to bind and are easier to control.

g) **Use the power tool, accessories and tool bits etc. in accordance with these instructions, taking into account the working conditions and the work to be performed.** Use of the power tool for operations different from those intended could result in a hazardous situation.

h) **Keep handles dry, clean and free from oil and grease.** Slippery handles do not allow for safe handling and control of the tool in unexpected situations.

ations.

5) Service

a) **Have your power tool serviced by a qualified repair person using only identical replacement parts.** This will ensure that the safety of the power tool is maintained.

Machine-related safety instructions

– **Harmful/toxic dusts can be produced during your work (e.g. lead-containing paint, some types of wood and metal).** Contact with these dusts, especially inhaling them, can represent a hazard for operating personnel or persons in the vicinity. Comply with the safety regulations that apply in your country. Connect the electric power tool to a suitable extraction system.



To protect your health, wear a P2 protective mask.



Always wear protective goggles to protect against sanding hazards.

Health hazard by dust

⚠ WARNING Various dust created by power sanding, sawing, grinding, drilling and other construction activities contains chemicals known (to the State of California) to cause cancer, birth defects or other reproductive harm. Some examples of these chemicals are:

- Lead from lead-based paints,
- Crystalline silica from bricks and cement and other masonry products,
- Arsenic and chromium from chemically-treated lumber.

The risk from these exposures varies, depending on how often you do this type of work.



To reduce your exposure to these chemicals work in a well ventilated area and use approved safety equipment, such as dust masks that are specially designed to filter out microscopic particles. Wash hands after handling.

⚠ WARNING TO REDUCE THE RISK OF INJURY, USER MUST READ INSTRUCTION MANUAL.

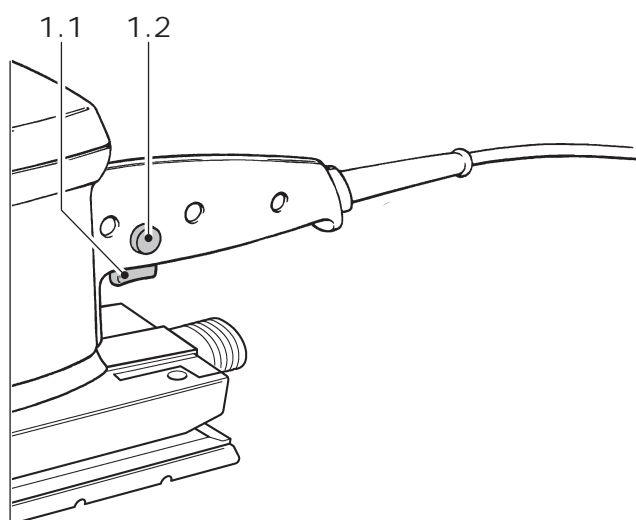
Technical data

RS 2

Wattage	W	330
No load speed	rpm	10 000
No. of strokes	spm	20 000
Sanding stroke	mm (in.)	2.4 (0.1)
Sanding base	mm (in.)	115 x 225 (4.53 x 8.86)
Weight	kg (lbs)	2.5 (5.5)
Safety		□/II

RS 2 E

Wattage	W	330
No load speed	rpm	4 000 - 10 000
No. of strokes	spm	8 000 - 20 000
Sanding stroke	mm (in.)	2.4 (0.1)
Sanding base	mm (in.)	115 x 225 (4.53 x 8.86)
Weight	kg (lbs)	2.5 (5.5)
Safety		□/II



Symbols



Warning of general danger



Read the Operating Instructions/Notes!



Wear protective goggles



Wear a dust mask

V Volts

A Amperes

Hz Hertz

W Watt

~ Alternating current

n_0 No load speed

□ Class II Construction

rpm Revolutions per minute

spm Strokes per minute

Intended use

The sanders are designed for sanding wood, plastic, metal, stone, composite materials, paint / varnish, filling material and similar materials.

Materials with an asbestos content must not be processed with these tools.

The machines must not be damp nor operated in a damp environment for electrical safety reasons. The machines may only be used for dry sanding.

⚠ WARNING The user bears sole responsibility for any damage or accidents resulting from incorrect use.

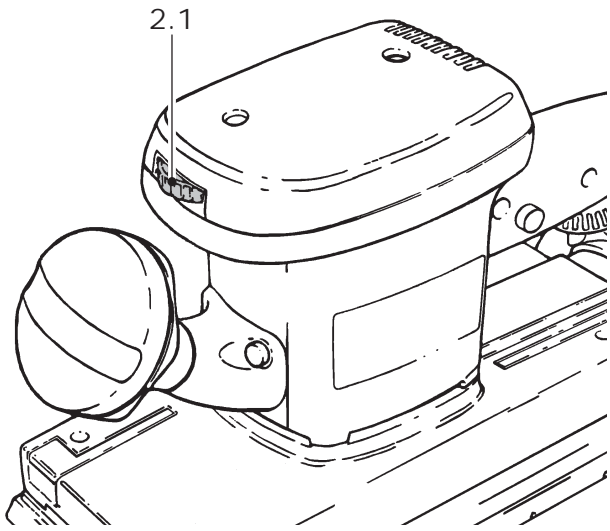
Electrical connection and operation

The mains voltage must be the same as that specified on the ratings plate!

The switch (1.1) is used to switch the tool on and off. The switch can be locked with the button (1.2) on the side for continuous operation. The switch can be released by pressing again.

Electronics (RS 2 E)

strokes per min			
1	8 000	4	15 200
2	10 400	5	17 600
3	12 800	6	20 000



The RS 2 E has an electronic control with which the rotational speed can be varied step-free. This allows the sanding speed to be adapted to the optimum level according to the material concerned.

The speed is set using the rotary control button (2.1). The numbers on the rotary control button represent approximately the following stroke/orbit speeds:

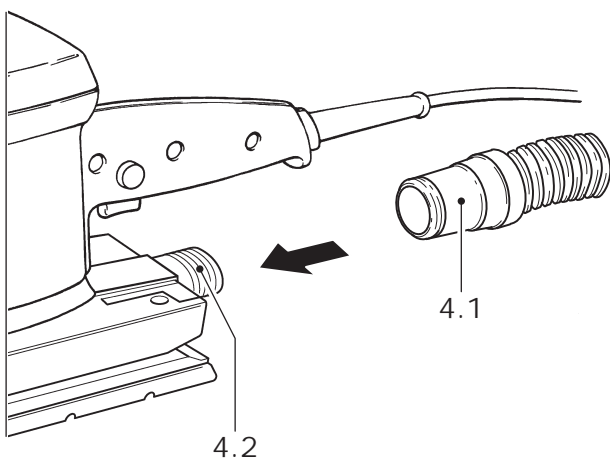
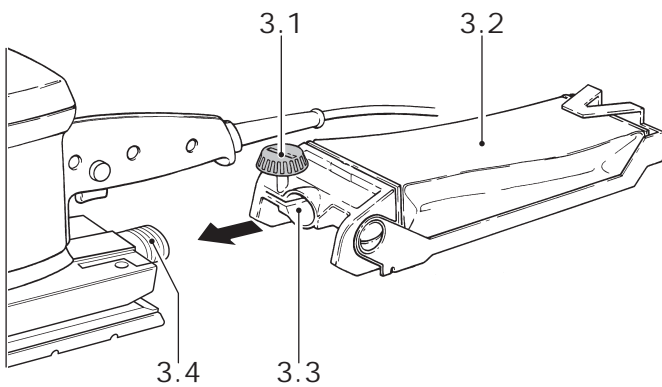
Dust extraction

Dust extractors prevent large accumulations of dust in the air in the working environment and dirt collecting in the workplace.

Inboard extraction

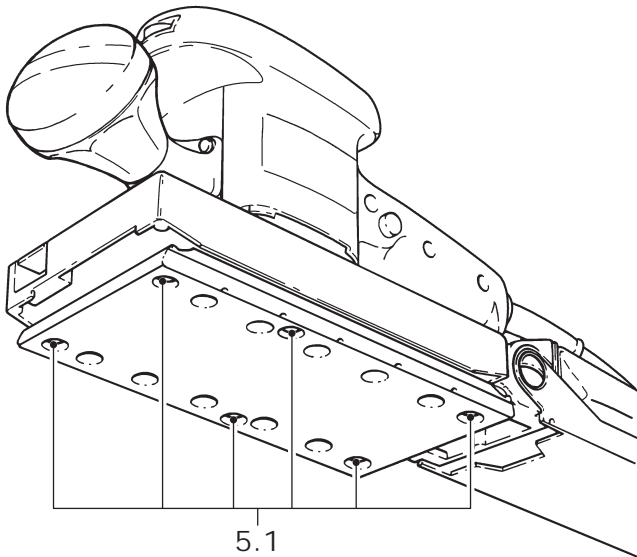
The machines are fitted with inbuilt extraction as standard. Push the filter holder (3.3) with its opening as far as it will go onto the extraction nozzle (3.4) of the machine and clamp tight by turning rotary knob (3.1).

The sanding dust is extracted through suction openings in the sanding base and trapped in the turbo-filter (3.2). The turbo-filter has to be changed when it is so full of dust that the extraction power diminishes.



External extraction by an extraction unit

In order to avoid frequent changing of the turbo-filter when carrying longer sanding jobs, it is possible to connect a Festool extractor to the unit instead of using inbuilt extraction. Connect the hose (\varnothing 27 mm (4.1) from a Festool dust extractor to the extraction outlet on the tool (4.2).



5.1

Sanding pad

The standard STF 115 x 225 mm Stickfix sanding pad can be exchanged for the 115 x 225 mm sanding pad for use with clamping paper. Loosen the six fastening screws (5.1).

Both sanding pads (with and without Stickfix covering) are also available with an edge protector (KS) to protect the edge of the pad from premature damage.

Abrasives

CAUTION Always use original Festool sanding materials!

Stickfix abrasives

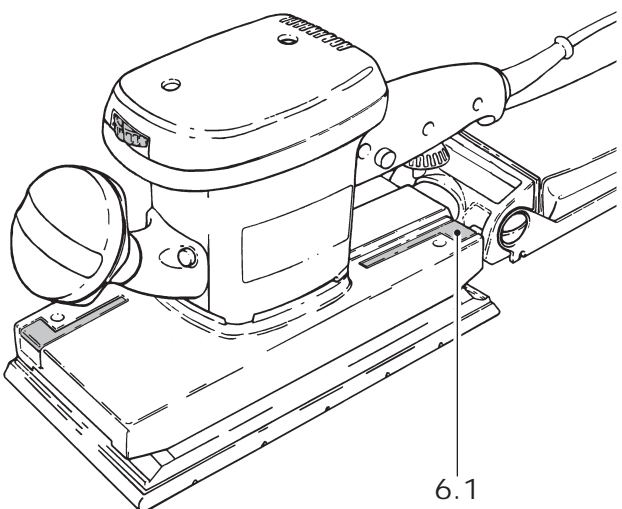
Self-adhesive abrasives such as Stickfix sanding disks and sheepskin polishers can be attached to the Stickfix sanding pads. Simply press the abrasives onto the sanding pads and remove after use.

Please note: Only use sanding pads with an undamaged Stickfix coating. Before use, check whether the adhesive layer has been damaged due to improper use (e.g. melting)

Clamped sandpaper

In addition to the Stickfix abrasives, Festool also offers perforated abrasives for clamp-fitting. Unperforated sandpaper can be perforated with the Festool "Lochfix" punching device.

Start clamping the abrasive on the back of the tool by raising the clamping lever (6.1) and thus opening the clamping device. Insert abrasive up to limit stop and lower clamping lever into initial position. Place the abrasive on the sanding pad, pull taught and clamp on the front.



6.1

Working with the machine

⚠ WARNING Never overload the tool by using too much pressure! The best sanding results are achieved when applying moderate pressure.

The sanding performance and quality depend mainly on the choice of the right sanding material. Festool offers the appropriate sanding material for all applications (see Festool catalogue).

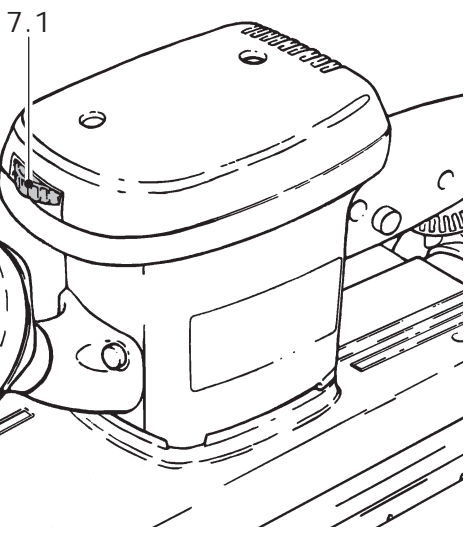
Metalworking

⚠ WARNING The following precautions are to be taken when processing metals for safety reasons:

- connect a residual current operated device in series before the tool,
- connect tool to a suitable dust extractor,
- clean tool regularly of dust accumulations in the motor housing.

Speed adjustment (RS 2 E)

We recommend the following settings on the rotary control (7.1) for electronic machines:



5 - 6

- sanding with max. drive
- sanding old paint
- sanding wood and veneer prior to painting
- interim sanding of paint on surfaces
- removing rust from surfaces using sanding cloth
- partial sanding of V2A steel/sheet metal using sanding cloth

4 - 5

- sanding of thinly applied primer
- sanding of wood with sanding vlies
- sanding edges on wooden parts
- smoothing primed wooden surfaces.

3 - 4

- sanding full wooden and veneer edges
- sanding in the grooves/rebates of windows and doors
- interim paint sanding on edges
- pre-sanding natural wood windows with sanding vlies
- smoothing wood surfaces with sanding felt prior to staining

- rubbing down stained surfaces with sanding vlies
- rubbing down or removing excess lime paste with sanding vlies

2 - 3

- interim paint sanding on stained surfaces
- cleaning natural wood window grooves with sanding felt

1 - 2

- sanding stained edges
- sanding thermoplastic synthetics

Maintenance and care

⚠ WARNING Any maintenance or repair work requiring the motor housing to be opened (including power cord replacement) may only be carried out by an authorised service workshop. Maintenance or repair work carried out by an unauthorised person can lead to the wrong connection of the power leads or other components, which in turn can lead to accidents with serious consequences.

⚠ WARNING Always remove the plug from the mains supply socket before carrying out any work on the machine!

Always keep the machine and the ventilation slots clean.

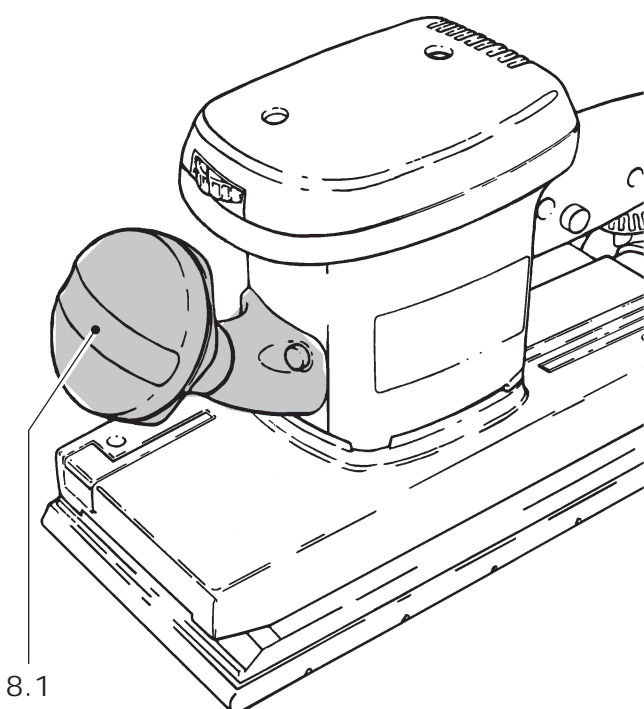
Accessories, tools

⚠ WARNING For safety reasons, only use original Festool accessories and tools!

The accessory and tool order number can be found in the Festool catalogue or on the Internet under www.festoolusa.com.

Additional handle

The additional handle (8.1) can be removed by unscrewing in an anticlockwise direction when sanding close to walls the front edge of the sanding pad.




Systainer


Many Festool products are shipped in a unique system container, called "Systainer".

This provides protection and storage for the tool and accessories. The Systainers are stackable and can be connected together. They also can be connected atop Festool CT dust extractors.

To open the Systainer:



- Turn the T-loc [9.1] to the position .

To lock the Systainer:

- Turn the T-loc [9.1] to the position .

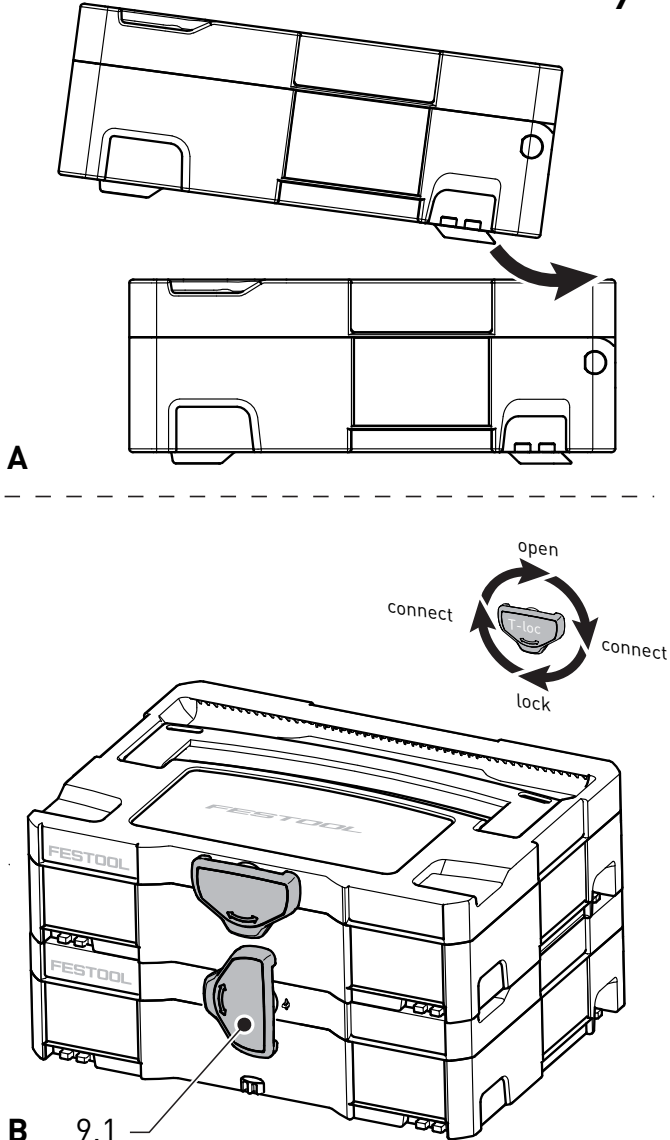
To connect two Systainers:

- Place one Systainer on the top of the other (Fig. 9 A).

- Turn the T-loc [9.1] to the position  or  (Fig. 9 B).

The Systainers are connected and locked.

- ① A new generation Systainer is connectable on top of a previous generation Systainer by the four latches of the previous Systainer.



Warranty

Festool offers a 3 year limited warranty, one of the strongest in the industry. This warranty is valid on the pre-condition that the tool is used and operated in compliance with the Festool operating instructions. Festool warrants that the specified tool will be free from defects in materials and workmanship for a term of 3 years from the date of purchase.

Conditions of 1 + 2 warranty

All customers receive a free extended limited warranty (1 year + 2 years = 3 Years) on new Festool power tools purchased from an authorized retailer. Festool is responsible for all shipping costs during the first year of the warranty. During the second and third year of the warranty the customer is responsible for shipping the tool to Festool. Festool will pay for return shipping to the customer using UPS Ground Service. All warranty service is valid 3 years from the date of purchase.

on your receipt or invoice. Proof of purchase may be required.

Excluded from the coverage under this warranty

are: normal wear and tear, damages caused by misuse, abuse, or neglect; damage caused by anything other than defects in material and workmanship. This warranty does not apply to accessory items such as circular saw blades, drill bits, router bits, jigsaw blades, sanding belts, and grinding wheels. Operating a tool at a voltage or frequency different from the tool's rating will void the warranty. This includes the usage of the tool in combination with a transformer. Festool does not condone nor support the use of any non-Festool engineered, designed, and manufactured accessories or consumables with Festool products. Use of any non-Festool products may affect performance or void the warranty. Festool is not responsible for any damages or losses incurred and user assumes all risk and responsibility with non-Festool derived products. Also excluded are "wearing parts," such as carbon brushes, lamellas of air tools, rubber collars and seals, sanding discs and pads, and Festool gear (hats and shirts).

The obligations of Festool in its sole discretion under this warranty shall be limited to repair or replacement or a refund of the purchase price for any Festool portable power tool that is found to have a defect in materials or workmanship during the warranty period. FESTOOL SHALL NOT BE LIABLE FOR ANY CONSEQUENTIAL, INCIDENTAL OR SPECIAL DAMAGES REGARDLESS OF THE THEORY OF LAW ON WHICH THE CLAIM IS BASED. ALL WARRANTIES IMPLIED BY STATE LAW, INCLUDING THE IMPLIED WARRANTIES OR MERCHANTABILITY AND FITNESS FOR A PARTICULAR PURPOSE ARE HEREBY LIMITED TO THE DURATION OF THREE YEARS.

Some states in the U.S. and some Canadian provinces do not allow the limitations on how long an implied warranty lasts, so the above limitation may not apply to you. This warranty gives you specific legal rights, and you may also have other rights that vary from state to state in the U.S. and from province to province in Canada.

With the exception of any warranties implied by state or province law as limited above, the foregoing express limited warranty is exclusive and in lieu of all other warranties, guarantees, agreements, and similar obligations of Festool. Festool makes no other warranty, express or implied, for Festool portable power tools. This warranty policy is only valid for tools that are purchased in the US and Canada. Warranty policies of other countries may vary when obtaining warranty service outside the US and Canada. Some countries do exclude warranty for products bought outside their territory. Festool reserves the right to reject the repair of any tool that is not part of the US/Canada product line. No agent, representative, distributor, dealer, or employee of Festool has the authority to increase or otherwise change the obligations or limitations of this warranty.

Sommaire

RÈGLES DE SÉCURITÉ	12
Règles de sécurité générales	12
Consignes de sécurité spécifiques à la machine.....	14
Caracteristiques techniques	14
Symbole	14
Utilisation conforme aux prescriptions	15
Raccordement électrique et mise en service 15	
Electronique (RS 2 E)	15
Aspiration des poussières	16
Dispositif d'auto-aspiration	16
Aspiration extérieure à l'aide d'un aspirateur	16
Patins de ponçage spéciaux	16
Abrasifs	17
Abrasifs Stickfix	17
Papiers de ponçage à tendre	17
Travailler avec la machine	17
Traitement des métaux :.....	18
Réglage de régime (RS 2 E)	18
Entretien et maintenance	19
Accessoires, outils	19
Poignée supplémentaire	19
Systainer	20
Garantie	20

RÈGLES DE SÉCURITÉ

Règles de sécurité générales



ATTENTION ! Lire toutes les consignes de sécurité et indications. Le non-respect des avertissements et instructions indiqués ci-après peut entraîner un choc électrique, un incendie et/ou de graves blessures.

Conserver tous les avertissements et toutes les instructions pour pouvoir s'y reporter ultérieurement.

Le terme "outil" dans les avertissements fait référence à votre outil électrique alimenté par le secteur (avec cordon d'alimentation) ou votre outil fonctionnant sur batterie (sans cordon d'alimentation).

1 PLACE DE TRAVAIL

a) **Maintenez l'endroit de travail propre et bien éclairé.** Un lieu de travail en désordre ou mal

éclairé augmente le risque d'accidents.

b) **N'utilisez pas l'appareil dans un environnement présentant des risques d'explosion et où se trouvent des liquides, des gaz ou poussières inflammables.** Les outils électroportatifs génèrent des étincelles risquant d'enflammer les poussières ou les vapeurs.

c) **Tenez les enfants et autres personnes éloignés durant l'utilisation de l'outil électroportatif.** En cas d'inattention vous risquez de perdre le contrôle sur l'appareil.

2 SECURITE RELATIVE AU SYSTEME ELECTRIQUE

a) **La fiche de secteur de l'outil électroportatif doit être appropriée à la prise de courant. Ne modifiez en aucun cas la fiche. N'utilisez pas de fiches d'adaptateur avec des appareils avec mise à la terre.** Les fiches non modifiées et les prises de courant appropriées réduisent le risque de choc électrique.

b) **Evitez le contact physique avec des surfaces mises à la terre tels que tuyaux, radiateurs, fours et réfrigérateurs.** Il y a un risque élevé de choc électrique au cas où votre corps serait relié à la terre.

c) **N'exposez pas l'outil électroportatif à la pluie ou à l'humidité.** La pénétration d'eau dans un outil électroportatif augmente le risque d'un choc électrique.

d) **N'utilisez pas le câble à d'autres fins que celles prévues, n'utilisez pas le câble pour porter l'appareil ou pour l'accrocher ou encore pour le débrancher de la prise de courant. Maintenez le câble éloigné des sources de chaleur, des parties grasses, des bords tranchants ou des parties de l'appareil en rotation.** Un câble endommagé ou torsadé augmente le risque d'un choc électrique.

e) **Au cas où vous utiliseriez l'outil électroportatif à l'extérieur, utilisez une rallonge autorisée homologuée pour les applications extérieures.** L'utilisation d'une rallonge électrique homologuée pour les applications extérieures réduit le risque d'un choc électrique.

f) **Si l'usage d'un outil dans un emplacement humide est inévitable, utiliser une alimentation protégée par un dispositif à courant différentiel résiduel (RCD).** L'usage d'un RCD réduit le risque de choc électrique.

3 SECURITE DES PERSONNES

a) **Restez vigilant, surveillez ce que vous faites. Faites preuve de bon sens en utilisant l'outil électroportatif. N'utilisez pas l'appareil lorsque vous êtes fatigué ou après avoir consommé de l'alcool,**

des drogues ou avoir pris des médicaments. Un moment d'inattention lors de l'utilisation de l'appareil peut entraîner de graves blessures sur les personnes.

b) **Portez des équipements de protection. Portez toujours des lunettes de protection.** Le fait de porter des équipements de protection personnels tels que masque anti-poussières, chaussures de sécurité antidérapantes, casque de protection ou protection acoustique suivant le travail à effectuer, réduit le risque de blessures.

c) **Évitez une mise en service par mégarde. Assurez-vous que l'interrupteur est effectivement en position d'arrêt avant de retirer la fiche de la prise de courant.** Le fait de porter l'appareil avec le doigt sur l'interrupteur ou de brancher l'appareil sur la source de courant lorsque l'interrupteur est en position de fonctionnement, peut entraîner des accidents.

d) **Enlevez tout outil de réglage ou toute clé avant de mettre l'appareil en fonctionnement.** Une clé ou un outil se trouvant sur une partie en rotation peut causer des blessures.

e) **Ne surestimez pas vos capacités. Veillez à garder toujours une position stable et équilibrée.** Ceci vous permet de mieux contrôler l'appareil dans des situations inattendues.

f) **Portez des vêtements appropriés. Ne portez pas de vêtements amples, ni de bijoux. Gardez les cheveux et les vêtements à distance des pièces mobiles.** Des vêtements amples, des bijoux ou des cheveux longs peuvent être happés par les pièces en mouvement.

g) **Si des dispositifs servant à aspirer ou à recueillir les poussières doivent être utilisés, vérifiez que ceux-ci soient effectivement raccordés et qu'ils sont correctement utilisés.** L'utilisation de tels dispositifs réduit les dangers dus aux poussières.

h) **Ne devenez pas trop sûr de vous, par habitude suite à une utilisation fréquente de l'appareil, de manière à ne pas respecter les principes de sécurité de base de l'appareil.** Une action imprudente peut occasionner de graves blessures en l'espace d'une fraction de seconde.

4 UTILISATION ET EMPLOI SOIGNEUX DE L'OUTIL ELECTROPORTATIF

a) **Ne surchargez pas l'appareil. Utilisez l'outil électroportatif approprié au travail à effectuer.** Avec l'outil électroportatif approprié, vous travaillerez mieux et avec plus de sécurité à la vitesse pour laquelle il est prévu.

b) **N'utilisez pas un outil électroportatif dont l'interrupteur est défectueux.** Un outil électroportatif qui ne peut plus être mis en ou hors fonctionnement est dangereux et doit être réparé.

c) **Retirer la fiche de la prise de courant avant d'effectuer des réglages sur l'appareil, de changer les accessoires, ou de ranger l'appareil.** Cette mesure de précaution empêche une mise en fonctionnement par mégarde.

d) **Gardez les outils électroportatifs non utilisés hors de portée des enfants. Ne permettez pas l'utilisation de l'appareil à des personnes qui ne se sont pas familiarisées avec celui-ci ou qui n'ont pas lu ces instructions.** Les outils électroportatifs sont dangereux lorsqu'ils sont utilisés par des personnes non initiées.

e) **Prenez soin des outils électroportatifs. Vérifiez que les parties en mouvement fonctionnent correctement et qu'elles ne soient pas coincées, et contrôlez si des parties sont cassées ou endommagées de telle sorte que le bon fonctionnement de l'appareil s'en trouve entravé. Faites réparer les parties endommagées avant d'utiliser l'appareil.** De nombreux accidents sont dus à des outils électroportatifs mal entretenus.

f) **Maintenez les outils de coupe aiguisés et propres.** Des outils soigneusement entretenus avec des bords tranchants bien aiguisés se coincent moins souvent et peuvent être guidés plus facilement.

g) **Utilisez les outils électroportatifs, les accessoires, les outils à monter etc. conformément à ces instructions et aux prescriptions en vigueur pour ce type d'appareil. Tenez compte également des conditions de travail et du travail à effectuer.** L'utilisation des outils électroportatifs à d'autres fins que celles prévues peut entraîner des situations dangereuses.

h) **Gardez les poignées dans un état sec, propre et exempt d'huile et de graisse.** Des poignées glissantes ne permettent pas une prise en main sûre et le contrôle de l'outil électrique dans des situations inattendues.

5 SERVICE

a) **Ne faites réparer votre outil électroportatif que par un personnel qualifié et seulement avec des pièces de rechange d'origine.** Ceci permet d'assurer la sécurité de l'appareil.

Consignes de sécurité spécifiques à la machine

- **Au cours du travail, des poussières nocives/toxiques peuvent être générées (comme les poussières de peintures au plomb ou certaines poussières de bois ou de métal).** Le contact ou l'inhalation de ces poussières peut présenter un danger pour l'utilisateur ou les personnes se trouvant à proximité. Veuillez respecter les prescriptions de sécurité en vigueur dans votre pays. Raccordez l'outil électrique à un dispositif d'aspiration adapté.



Pour votre santé, portez un masque de protection respiratoire de classe P2.



Portez systématiquement des lunettes de protection pour vous protéger des risques inhérents au ponçage.

La poussière, un risque pour la santé

⚠ AVERTISSEMENT Certaines poussières créées par le ponçage mécanique, le sciage, le meulage, le perçage et autres activités reliées à la construction contiennent des substances chimiques connues (dans l'État de la Californie) comme pouvant causer le cancer, des anomalies congénitales ou représenter d'autres dangers pour la reproduction. Voici quelques exemples de telles substances:

- plomb provenant de peintures à base de plomb,
- silice cristallisée utilisée dans les briques, le ciment et autres matériaux de maçonnerie, et
- arsenic et chrome du bois d'œuvre traité avec un produit chimique.

Le risque d'exposition à de tels produits varie selon la fréquence à laquelle vous faites ce genre de travail.



Pour réduire les risques d'exposition à ces substances chimiques : travaillez dans un endroit adéquatement ventilé et utilisez un équipement de sécurité approuvé, tel que masques antipoussières spécialement conçus pour filtrer les particules microscopiques.

⚠ AVERTISSEMENT POUR RÉDUIRE LE RISQUE DE DOMMAGES, L'UTILISATEUR DOIT LIRE LE MANUEL D'INSTRUCTION

Caracteristiques techniques

RS 2

Puissance absorbée	W	3 3 0
Vitesse à vide	tr/min	10 000
Nombre d'oscillations	tr/min	20 000
Amplitude	mm (in.)	2.4 (0.1)
Patin de ponçage	mm(in.)	115 x 225 (4.53 x 8.86)
Poids	kg (lbs)	2.5 (5.5)
Classe de protection		□/II

RS 2 E

Puissance absorbée	W	3 3 0
Vitesse à vide	tr/min	4 000 - 10 000
Nombre d'oscillations	tr/min	8 000 - 20 000
Amplitude	mm (in.)	2.4 (0.1)
Patin de ponçage	mm(in.)	115 x 225 (4.53 x 8.86)
Poids	kg (lbs)	2.5 (5.5)
Classe de protection		□/II

Symbole



Avertissement de danger



Lire les instructions / les remarques !



Porter des lunettes de protection



Débrancher la fiche secteur

V

Volt

A

Ampère

Hz

Hertz

W

Watt

~

Tension alternative

n_0

Vitesse de rotation à vide

□

Classe II conception

tr/min

Tours par minute

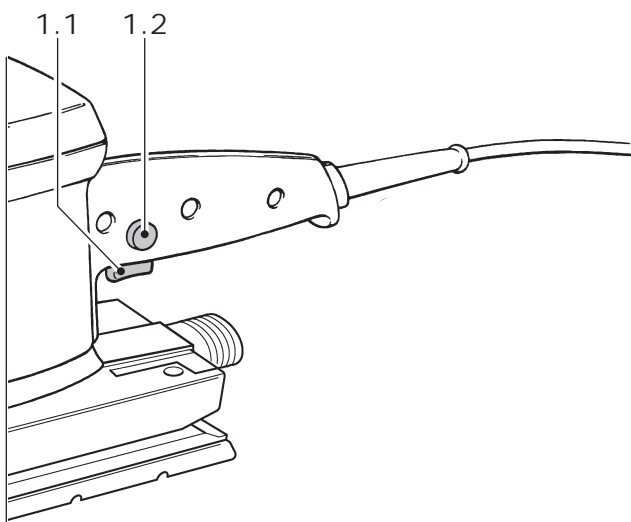
Utilisation conforme aux prescriptions

Les ponceuses sont destinées à poncer le bois, les matières plastiques, le métal, la pierre, les matériaux composites, la peinture et la laque, le mastic et des matériaux semblables.

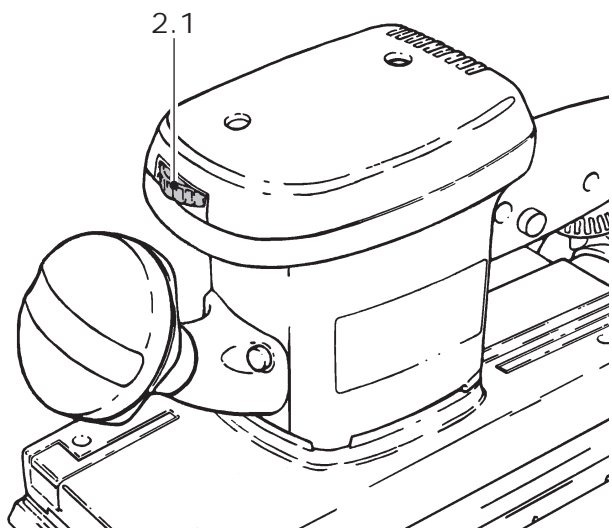
Du matériau comportant de l'amiante ne doivent pas être usinés.

Pour des raisons de sécurité électrique, les machines ne doivent pas être humides ni fonctionner dans un environnement humide. Il ne faut utiliser les machines que pour un ponçage sec.

AVERTISSEMENT En cas d'une utilisation non conforme, la responsabilité des dommages et accidents incombe à l'utilisateur.



oscillations par minute			
1	8 000	4	15 200
2	10 400	5	17 600
3	12 800	6	20 000



Raccordement électrique et mise en service

La tension du réseau électrique doit correspondre à l'indication figurant sur la plaque signalétique!

Un commutateur (1.1) fait office d'interrupteur Marche/Arrêt. Pour une utilisation en continu, le commutateur peut être bloqué en position Marche par l'intermédiaire d'un bouton de verrouillage latéral (1.2). En actionnant de nouveau le commutateur, le verrouillage est de nouveau libéré.

Electronique (RS 2 E)

La ponceuse RS 2 E possède un réglage électronique permettant une variation progressive de la vitesse de rotation. Ceci permet une adaptation optimale de la vitesse du ponçage aux différents matériaux.

La vitesse de rotation est réglée par la molette (2.1). Les chiffres de la molette correspondent approximativement aux nombres de courses ci-après:

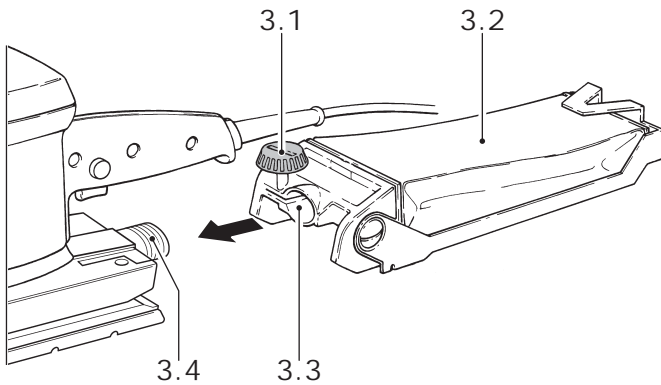
Aspiration des poussières

L'aspiration de la poussière empêche des lourdes charges de l'air environnant par des poussières et des fortes salissures du lieu de travail.

Dispositif d'auto-aspiration

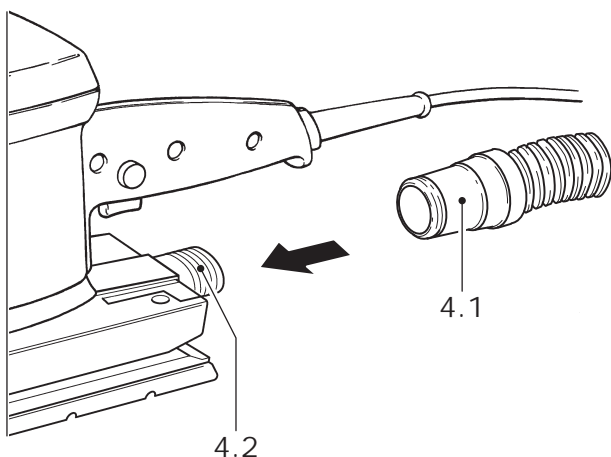
Les machines sont équipées en série d'un dispositif d'auto-aspiration. Placer le porte-filtre (3.3) avec l'orifice jusqu'à l'arrêt sur le manchon d'aspiration (3.4) de la machine et serrer à l'aide du bouton tournant (3.1).

La poussière de ponçage est aspirée à travers les orifices d'aspiration du patin de ponçage puis collectée dans le filtre turbo (3.2). Lorsque le filtre turbo est rempli de poussières, la performance d'aspiration baisse et il faut le remplacer.



Aspiration extérieure à l'aide d'un aspirateur

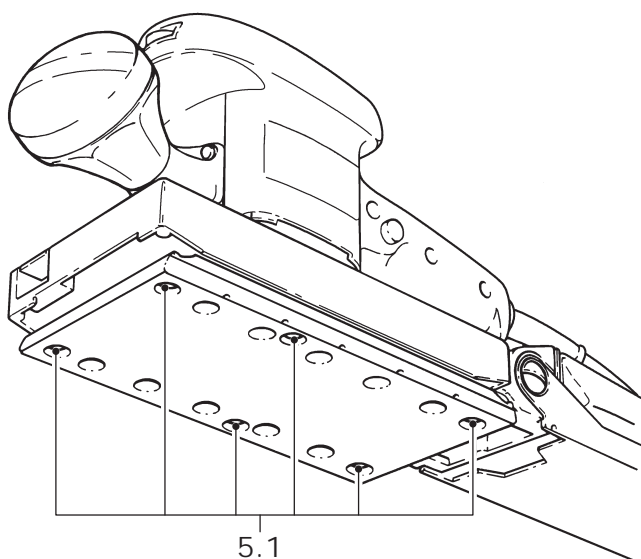
Afin d'éviter d'avoir à remplacer souvent le filtre turbo, on peut raccorder un aspirateur Festool à la place du dispositif d'auto-aspiration. A cet effet, il convient d'enfiler le tuyau flexible (Ø 27 mm (4.1)) d'un appareil d'aspiration Festool sur la tubulure d'aspiration de l'appareil (4.2).



Patins de ponçage spéciaux

Le patin de ponçage faisant partie du matériel fourni d'origine STF 115 x 225 mm peut être remplacé par le patin de ponçage 115 x 225 mm destiné à des papiers de ponçage à tendre. Pour cela, il faut dévisser les six vis de fixation (5.1) au moyen d'un tournevis.

Les deux patins de ponçage (avec et sans revêtement Stickfix) sont également disponibles avec un protecteur latéral de chants afin de protéger le plateau contre une détérioration prématurée lors du ponçage de chants.



Abrasifs

⚠ MISE EN GARDE N'utilisez que des produits abrasifs originaux Festool!

Abrasifs Stickfix

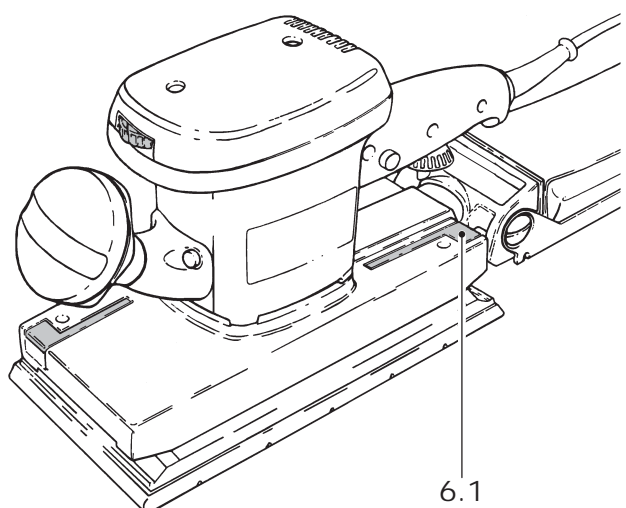
Sur le patin de ponçage Stickfix, on peut monter de l'abrasif auto-adhésif tel que Stickfix en papier et en texture de Nylon. L'abrasif est simplement posé sur le patin de ponçage et retiré après utilisation.

Veuillez observer ce qui suit: Utilisez uniquement des patins de ponçage dont le revêtement adhésif Stickfix n'est pas endommagé. Avant l'utilisation, contrôlez si le revêtement Velcro n'a pas été détérioré par une utilisation non conforme (par exemple parties fondues).

Papiers de ponçage à tendre

Outre les abrasifs Stickfix, Festool présente également des abrasifs non perforés. Le papier abrasif non perforé peut être perforé avec le gabarits Festool «Lochfix».

Commencez à tendre le papier abrasif au dos de l'appareil en ouvrant le dispositif de fixation en rabattant le levier de serrage (6.1). Poussez le papier abrasif jusqu'à la butée puis rabattez le levier sur sa position d'origine. Déposez le papier abrasif sur le patin de ponçage, tirez-le bien vers l'avant puis tendez-le sur la partie avant.



Travailler avec la machine

⚠ AVERTISSEMENT Ne surchargez pas la machine en appuyant trop fort! Vous obtiendrez le meilleur résultat de ponçage avec une pression d'application moyenne.

Le rendement et la qualité du ponçage dépendent essentiellement de la sélection de l'abrasif adéquat. Festool propose l'abrasif approprié à chaque cas d'utilisation (cf. le catalogue Festool).

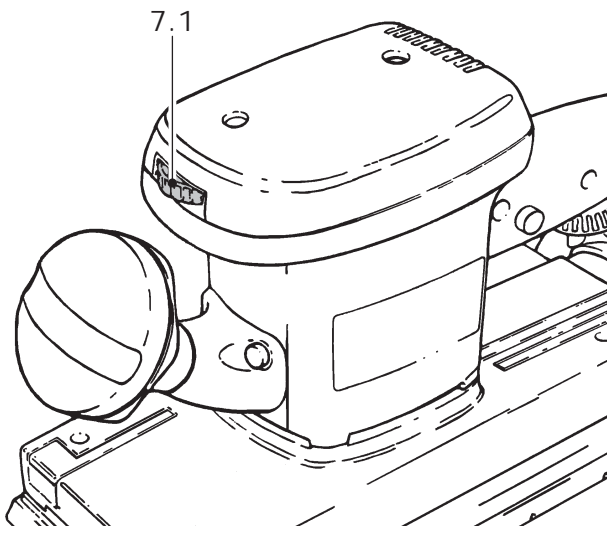
Traitement des métaux :

AVERTISSEMENT Lors du traitement des métaux, il est indispensable de respecter les mesures suivantes afin de travailler en toute sécurité :

- un interrupteur de sécurité (FI) doit être monté en amont,
- la machine doit être raccordée à un aspirateur convenable,
- la machine doit régulièrement être nettoyée pour éliminer les dépôts de poussières accumulées dans le corps du moteur.

Réglage de régime (RS 2 E)

Pour des machines électroniques nous pré-coordonnons les réglages ci-après de la molette (7.1):



5 - 6

- Ponçage à entraînement max.
- Ponçage d'anciennes peintures
- Ponçage de bois et de contreplacage avant application du vernis
- Ponçage intermédiaire du vernis de surfaces
- Dérouillage sur surface avec texture Nylon
- Ponçage de tôle d'acier V2A avec texture Nylon

4 - 5

- Ponçage d'un enduit appliqué en fine couche
- Ponçage de bois à l'aide du non-tissé de ponçage
- Réalisation de chants sur des pièces en bois
- Lissage de surfaces en bois à enduit

3 - 4

- Ponçage de bordures en bois massif et contreplaquées
- Ponçage dans la rainure de fenêtres et de portes
- Ponçage intermédiaire du vernis de chants
- Ponçage de fenêtres en bois nature à l'aide du non-tissé de ponçage
- Lissage de la surface en bois avant le décapage à l'aide du non-tissé de ponçage
- Ponçage de surfaces décapées à l'aide du non-tissé de ponçage
- Ponçage ou enlèvement de la pâte de chaux superflue à l'aide du non-tissé de ponçage

2 - 3

- Ponçage intermédiaire de vernis de surfaces décapées
- Nettoyage de rainures de fenêtres en bois à l'aide

du non-tissé de ponçage

1 - 2

- Ponçage de chants décapés
- Ponçage de matières synthétiques thermo-plastiques

Entretien et maintenance

⚠ AVERTISSEMENT Les travaux d'entretien et de réparation nécessitant une ouverture du carter moteur (incluant le remplacement du câble d'alimentation) ne doivent être effectués que par le personnel d'un atelier autorisé du service après-vente. La maintenance ou la réparation de la machine par des personnes non autorisées peut entraîner un branchement incorrect de câbles électriques ou d'autres composants, ce qui peut provoquer des accidents avec de graves blessures.

⚠ AVERTISSEMENT Avant toute intervention sur la machine il faut retirer la fiche de la prise de courant!

La machine et ses ouïes de refroidissement doivent toujours rester propres.

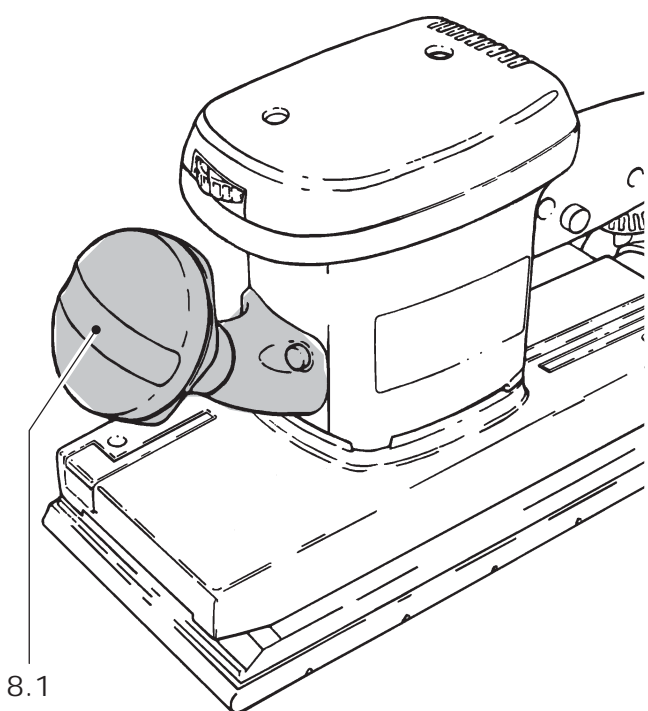
Accessoires, outils

⚠ AVERTISSEMENT Pour des raisons de sécurité, il faut utiliser exclusivement des accessoires et outils d'origine Festool!

Les références des accessoires et outils figurent dans le catalogue Festool ou sur Internet sous www.festoolusa.com.

Poignée supplémentaire


Au cas il serait nécessaire de poncer avec le bord avant de la plaque de ponçage à proximité d'un mur, il est possible de dévisser la poignée supplémentaire (8.1) en la tournant vers la gauche.



Systainer

De nombreux produits Festool sont fournis dans une caisse exclusive, appelée "Systainer". Celle-ci permet de protéger et de ranger des outils et des appareils complémentaires. Les Systainer sont empilables et peuvent être solidarisés. En outre, il se fixent sur les aspirateurs CT Festool.

Pour ouvrir le Systainer:



- Tournez le T-loc (9.1) à la position .

Pour fermer le Systainer:

- Tournez le T-loc (9.1) à la position .

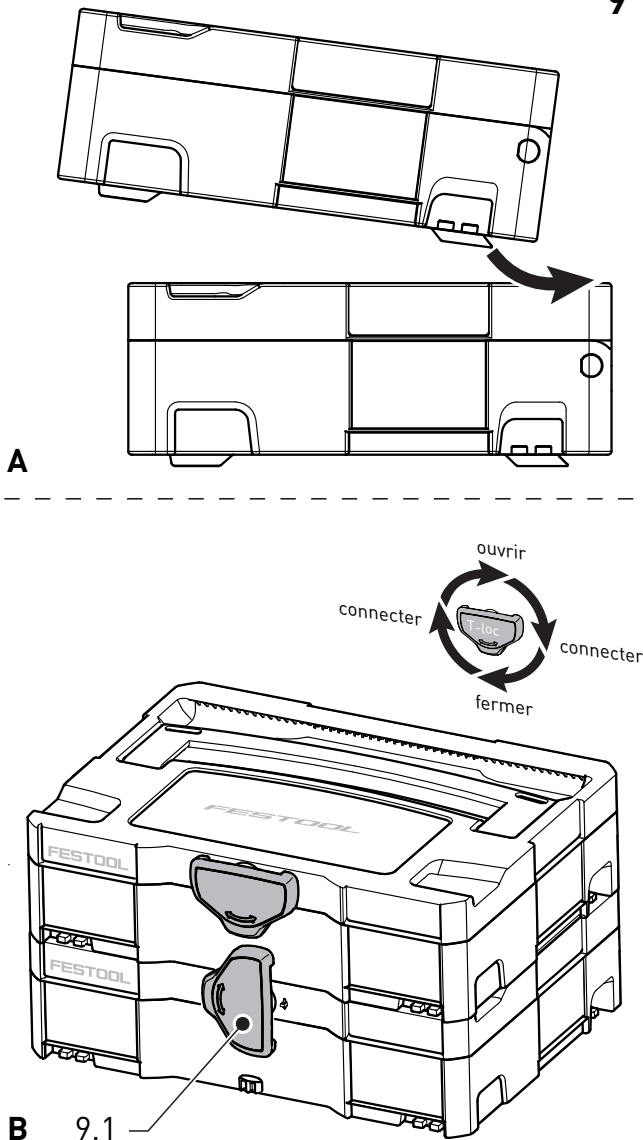
Pour connecter deux Systainers:

- Placez un Systainer au dessus de l'autre (Fig. 9 A).

- Tournez le T-loc (9.1) à la position  ou  (Fig. 9 B).

- Les Systainers sont combinés.

- ① Un Systainer de la nouvelle génération peut être attaché au dessus d'un Systainer de l'ancienne génération par les quatre loquets de l'ancien Systainer.



Garantie

Festool offre une garantie restreinte de trois ans, une des plus longues de l'industrie. La présente garantie est valide à la condition préalable que l'outil soit utilisé et exploité en conformité avec les consignes d'utilisation de Festool. Festool garantit que l'outil spécifié sera exempt de vices de matériel ou de malfaçon durant une période de 3 ans à compter de la date d'achat.

Conditions de la garantie 1 + 2

Tous les clients reçoivent une extension de garantie restreinte gratuite (1 an + 2 ans = 3 ans) pour tous les outils électriques achetés auprès d'un détaillant agréé. Festool est responsable de tous les frais d'expédition durant la première année de la garantie. Durant la deuxième et la troisième année de la garantie, le client a la responsabilité d'expédier l'outil à Festool. Festool paiera les frais d'expédition de retour au client en utilisant le service terrestre d'UPS. Tout service de garantie est

valide 3 ans à compter de la date d'achat indiquée sur votre reçu ou votre facture. La preuve d'achat peut être exigée.

Sont exclus de la couverture au titre de la présente garantie : usure normale, dommage causé par un usage impropre, un usage abusif ou de la négligence ; dommage causé par toute autre chose qu'un vice de matériel ou de malfaçon. La présente garantie ne s'applique pas aux articles accessoires tels que lames de scie plongeante, forets de perceuse, forets de défonceuse, lames de scie sauteuse, bandes abrasives et meules. L'utilisation d'un outil à une tension ou fréquence différente de la puissance nominale de l'outil annule la garantie. L'annulation de garantie inclut l'utilisation de l'outil avec un transformateur. Festool ne tolère ni n'approuve aucune utilisation d'accessoires ou de consommables d'ingénierie, de conception et de fabrication autres que Festool sur des produits Festool. Toute utilisation de produits autres que Festool peut affecter le rendement de l'outil et annuler la garantie. Festool ne peut être tenu responsable de tous dommages ou pertes subis, l'utilisateur assumant tous les risques et l'entière responsabilité liés à l'utilisation de produits qui ne sont pas d'origine Festool. Sont également exclues toutes les « pièces d'usure » telles que les balais de carbone, les lamelles de l'outillage pneumatique, les manchons et joints de caoutchouc, les disques abrasifs et les patins de ponçage, ainsi que les vêtements Festool (chapeaux et t-shirts).

Les obligations de Festool aux termes de la présente garantie se limitent, à sa seule discrétion, à la réparation ou au remplacement ou au remboursement du prix d'achat de tout outil électrique Festool portable jugé comme faisant montre d'un vice de matériel ou de malfaçon durant la période de la garantie. FESTOOL NE PEUT ÊTRE TENU RESPONSABLE DE QUELQUE DOMMAGE CONSÉCUTIF, ACCESSOIRE OU PARTICULIER INDÉPENDAMMENT DU PRINCIPE DE DROIT SUR LEQUEL SE FONDE LA DEMANDE. TOUTES LES GARANTIES IMPLICITES AUX TERMES DE LA LOI ÉTATIQUE, Y COMPRIS LES GARANTIES IMPLICITES DE QUALITÉ MARCHANDE ET D'ADAP-TATION À UN USAGE PARTICULIER, SONT PAR LES PRÉSENTES RESTREINTES À UNE DURÉE DE TROIS ANS.

Certains états américains et certaines provinces canadiennes ne permettent pas de restrictions quant à la durée d'une garantie implicite, de sorte que la restriction qui précède peut ne pas s'appliquer à vous. La présente garantie vous confère des droits légaux spécifiques, et il se peut que vous ayez d'autres droits variant d'un état à l'autre aux É.-U. et d'une province à l'autre au Canada.

En dehors de toute garantie imposée par une loi d'état ou une loi provinciale telle que restreinte ci-dessus, la garantie restreinte qui précède est exclusive et aux lieu et place de toute autre garantie, engagement formel, entente et autre obligation similaire de Festool. Festool ne fait aucune autre garantie, expresse ou implicite, à propos des outils électriques. La présente garantie est valide uniquement pour les outils achetés aux É.-U. et au Canada. Les régimes de garantie d'autres pays peuvent varier pour les cas de service obtenus en dehors des É.-U. et du Canada. Certains pays peuvent exclure de la garantie les produits achetés en dehors de leur territoire. Festool se réserve le droit de refuser la réparation de tout outil ne faisant pas partie de la gamme de produits des É.-U. et du Canada. Aucun agent, représentant, distributeur, concessionnaire ou employé de Festool n'a l'autorité d'augmenter ou d'autrement modifier les obligations ou les restrictions de la présente garantie.

Índice de contenidos

NORMAS DE SEGURIDAD	22
Indicaciones de seguridad generales	22
Normas de seguridad específicas	23
Datos técnicos	24
Símbolos	24
Uso conforme a la destinación	25
Conexión eléctrica y puesta en servicio	25
Electronic (RS 2 E)	25
Aspiración	25
Dispositivo autoaspirador	26
Dispositivo de aspiración externa, con aspirador	26
Tacos esmeriladores	26
Materia abrasiva	27
Materia abrasiva Stickfix	27
Papel abrasivo para tensar	27
Trabajo con la máquina	27
Elaboración de metal:.....	28
Ajuste de la velocidad (RS 2 E).....	28
Mantenimiento y conservación	29
Accesorios, herramientas	29
Asidero adicional	29
Systainer	30
Garantía	30

NORMAS DE SEGURIDAD

Indicaciones de seguridad generales



¡ATENCIÓN! Lea íntegramente las instrucciones e indicaciones de seguridad. El incumplimiento de dichas instrucciones e indicaciones puede dar lugar a descargas eléctricas, incendios o lesiones graves.

Guardar todas las advertencias de peligro e instrucciones para futuras consultas.

El término herramienta eléctrica empleado en las siguientes advertencias de peligro se refiere a herramientas eléctricas de conexión a la red (con cable de red) y a herramientas eléctricas accionadas por acumulador (o sea, sin cable de red).

1 PUESTO DE TRABAJO

a) **Mantenga limpio y bien iluminado su puesto de trabajo.** El desorden y una iluminación defi-

ciente en las áreas de trabajo pueden provocar accidentes.

b) **No utilice la herramienta eléctrica en un entorno con peligro de explosión, en el que se encuentren combustibles líquidos, gases o material en polvo.** Las herramientas eléctricas producen chispas que pueden llegar a inflamar los materiales en polvo o vapores.

c) **Mantenga alejados a los niños y otras personas de su puesto de trabajo al emplear la herramienta eléctrica.** Una distracción le puede hacer perder el control sobre el aparato.

2 SEGURIDAD ELÉCTRICA

a) **El enchufe del aparato debe corresponder a la toma de corriente utilizada. No es admisible modificar el enchufe en forma alguna. No emplear adaptadores en aparatos dotados con una toma de tierra.** Los enchufes sin modificar adecuados a las respectivas tomas de corriente reducen el riesgo de una descarga eléctrica.

b) **Evite que su cuerpo toque partes conectadas a tierra como tuberías, radiadores, cocinas y refrigeradores.** El riesgo a quedar expuesto a una sacudida eléctrica es mayor si su cuerpo tiene contacto con tierra.

c) **No exponga las herramientas eléctricas a la lluvia y evite que penetren líquidos en su interior.** Existe el peligro de recibir una descarga eléctrica si penetran ciertos líquidos en la herramienta eléctrica.

d) **No utilice el cable de red para transportar o colgar el aparato, ni tire de él para sacar el enchufe de la toma de corriente. Mantenga el cable de red alejado del calor, aceite, esquinas cortantes o piezas móviles.** Los cables de red dañados o enredados pueden provocar una descarga eléctrica.

e) **Al trabajar con la herramienta eléctrica en la intemperie utilice solamente cables de prolongación homologados para su uso en exteriores.** La utilización de un cable de prolongación adecuado para su uso en exteriores reduce el riesgo de una descarga eléctrica.

f) **Si fuese imprescindible utilizar la herramienta eléctrica en un entorno húmedo, es necesario conectarla a través de un fusible diferencial.** La aplicación de un fusible diferencial reduce el riesgo a exponerse a una descarga eléctrica.

3 SEGURIDAD DE PERSONAS

a) **Esté atento a lo que hace y emplee la herramienta eléctrica con prudencia. No utilice la herramienta eléctrica si estuviese cansado, ni**

tampoco después de haber consumido alcohol, drogas o medicamentos. El no estar atento durante el uso de una herramienta eléctrica puede provocarle serias lesiones.

b) **Utilice un equipo de protección y en todo caso unas gafas de protección.** El riesgo a lesionarse se reduce considerablemente si, dependiendo del tipo y la aplicación de la herramienta eléctrica empleada, se utiliza un equipo de protección adecuado como una mascarilla antipolvo, zapatos de seguridad con suela antideslizante, casco, o protectores auditivos.

c) **Evite una puesta en marcha fortuita del aparato. Cerciorarse de que el aparato esté desconectado antes conectarlo a la toma de corriente.** Si transporta el aparato sujetándolo por el interruptor de conexión/desconexión, o si introduce el enchufe en la toma de corriente con el aparato conectado, ello puede dar lugar a un accidente.

d) **Retire las herramientas de ajuste o llaves fijas antes de conectar la herramienta eléctrica.** Una herramienta o llave colocada en una pieza rotante puede producir lesiones al ponerse a funcionar.

e) **Sea precavido. Trabaje sobre una base firme y mantenga el equilibrio en todo momento.** Ello le permitirá controlar mejor la herramienta eléctrica en caso de presentarse una situación inesperada.

f) **Utilice ropa adecuada. No utilice ropa ancha ni objetos de joyería o bisutería. Mantenga el pelo y la ropa alejada de las piezas en movimiento.** La ropa suelta o el pelo largo pueden quedar atrapados por piezas en movimiento.

g) **Siempre que sea posible utilizar unos equipos de aspiración o captación de polvo, asegúrese que éstos estén montados y que sean utilizados correctamente.** El empleo de estos equipos reduce los riesgos derivados del polvo.

h) **No debe jamás confiarse por el uso frecuente de las máquinas e ignorar los principios de seguridad de la herramienta.** Un manejo imprudente puede ocasionar lesiones graves en fracciones de segundo.

4 TRATO Y USO CUIDADOSO DE HERRAMIENTAS ELÉCTRICAS

a) **No sobrecargue el aparato. Use la herramienta prevista para el trabajo a realizar.** Con la herramienta adecuada podrá trabajar mejor y más seguro dentro del margen de potencia indicado.

b) **No utilice herramientas con un interruptor defectuoso.** Las herramientas que no se puedan conectar o desconectar son peligrosas y deben

hacerse reparar.

c) **Saque el enchufe de la red antes de realizar un ajuste en el aparato, cambiar de accesorio o al guardar el aparato.** Esta medida preventiva reduce el riesgo a conectar accidentalmente el aparato.

d) **Guarde las herramientas fuera del alcance de los niños y de las personas que no estén familiarizadas con su uso.** Las herramientas utilizadas por personas inexpertas son peligrosas.

e) **Cuide sus aparatos con esmero. Controle si funcionan correctamente, sin atascarse, las partes móviles del aparato, y si existen partes rotas o deterioradas que pudieran afectar al funcionamiento de la herramienta. Si la herramienta eléctrica estuviese defectuosa haga repararla antes de volver a utilizarla.** Muchos de los accidentes se deben a aparatos con un mantenimiento deficiente.

f) **Mantenga los útiles limpios y afilados.** Los útiles mantenidos correctamente se dejan guiar y controlar mejor.

g) **Utilice herramientas eléctricas, accesorios, útiles, etc. de acuerdo a estas instrucciones y en la manera indicada específicamente para este aparato. Considere en ello las condiciones de trabajo y la tarea a realizar.** El uso de herramientas eléctricas para trabajos diferentes de aquellos para los que han sido concebidas puede resultar peligroso.

h) **Mantenga las empuñaduras secas, limpias y libres de aceite y grasa.** Las empuñaduras resbaladizas no permiten una manipulación y un control seguros de la herramienta eléctrica en situaciones inesperadas.

5 SERVICIO

a) **Únicamente haga reparar su herramienta eléctrica por un profesional, empleando exclusivamente piezas de repuesto originales.** Solamente así se mantiene la seguridad de la herramienta eléctrica.

Normas de seguridad específicas

– **Al trabajar puede generarse polvo perjudicial/tóxico (p. ej., de pintura de plomo, algunos tipos de madera y metal).** El contacto o la inhalación de este polvo puede suponer una amenaza para la persona que realiza el trabajo o para aquellas que se encuentren cerca. Observe las normativas de seguridad vigentes en su país. Conecte la herramienta eléctrica a un equipo de aspiración apropiado.



Utilice por el bien de su salud una mascarilla de protección respiratoria con filtro P2.



Ante el peligro que supone el lijado, lleve siempre gafas de protección.

Riesgos para la salud producidos por el polvo

⚠ ADVERTENCIA Algunos polvos creados por lijadoras motorizadas, aserraderos, trituradores, perforadoras y otras actividades de construcción contienen sustancias químicas que se sabe (en el Estado de California) causan cáncer, defectos de nacimiento u otros daños al sistema reproductivo. Algunos ejemplos de estas sustancias químicas son:

- Plomo de las pinturas con base de plomo
- Sílice cristalino de los ladrillos y cemento y otros productos de mampostería, y
- Arsénico y cromo de madera tratada con sustancias químicas

El riesgo de exposición a estas sustancias varía, dependiendo de cuantas veces se hace este tipo de trabajo.



Para reducir el contacto con estas sustancias químicas: trabaje en un área con buena ventilación y trabaje con equipo de seguridad aprobado, como mascarillas para el polvo diseñadas específicamente para filtrar partículas microscópicas.

⚠ ADVERTENCIA PARA REDUCIR EL RIESGO DE LESIÓN, EL USUARIO DEBE LEER EL MANUAL DE INSTRUCCIÓN.

Datos técnicos

RS 2

Potencia absorbida	W	330
Velocidad sin carga	rpm	10 000
Orbitas por minuto	opm	20 000
Orbita de lijado	mm (in.)	2.4 (0.1)
Plato de lijado	mm(in.)	115 x 225 (4.53 x 8.86)
Peso	kg (lbs)	2.5 (5.5)
Clase de protección		☐ / II

RS 2 E

Potencia absorbida	W	330
Velocidad sin carga	rpm	4 000 - 10 000
Orbitas por minuto	opm	8 000 - 20 000
Orbita de lijado	mm (in.)	2.4 (0.1)
Plato de lijado	mm (in.)	115 x 225 (4.53 x 8.86)
Peso	kg (lbs)	2.5 (5.5)
Clase de protección		☐ / II

Símbolos



Aviso ante un peligro general



¡Leer las instrucciones e indicaciones!



Utilizar gafas de protección



Utilizar protección respiratoria

V	voltios
A	amperios
Hz	hertzios
W	vatios
~	rensión alterna
n_0	revoluciones por minuto en vacío
☐	Clase II Construcción
rpm	revoluciones por minuto
opm	orbitas por minuto

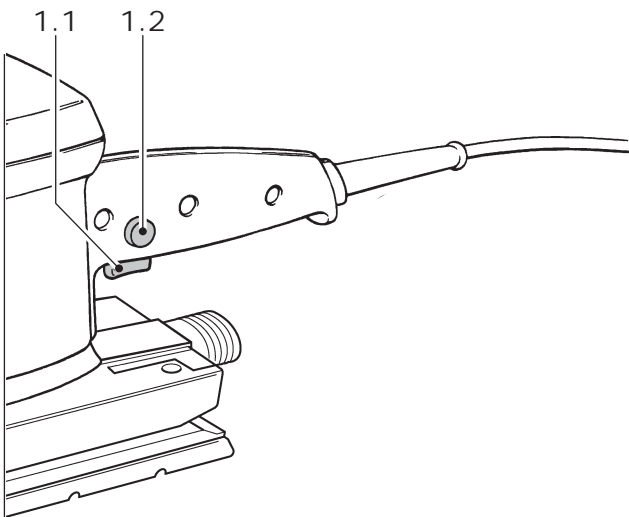
Uso conforme a la destinación

En cuanto a su determinación de uso, las lijadoras están previstas para el lijado de madera, plástico, metal, piedra, materiales compuestos, pintura / barniz, masilla de emplaste y materiales similares.

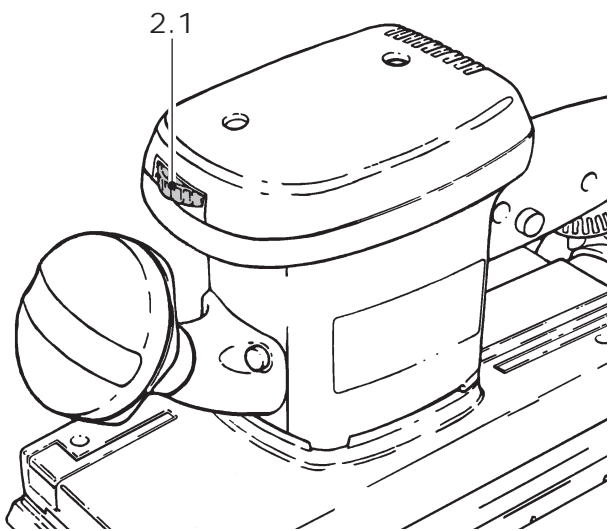
Con este útil no se deben trabajar materiales que contengan amianto.

A causa de la seguridad eléctrica, las máquinas no deben ser operadas estando húmedas y tampoco en un ambiente húmedo. Las máquinas solamente se deben emplear para un lijado en seco.

⚠ ADVERTENCIA El usuario se responsabilizará en el caso de daños y accidentes durante un uso no conforme a lo predeterminado.



Orbitas por minuto			
1	8 000	4	15 200
2	10 400	5	17 600
3	12 800	6	20 000



Conexión eléctrica y puesta en servicio

¡La tensión de red debe coincidir con la indicación de tensión en la placa indicadora de potencia!

Un interruptor (1.1) sirve para activar y desactivar. Para el servicio permanente se puede enclavar el interruptor con el botón de fijación lateral (1.2). Volviendo a activar el interruptor se desenclava la fijación.

Electronic (RS 2 E)

Para elaborar las diferentes superficies es conveniente adaptar la velocidad de esmerilado al material correspondiente.

Las cifras indicadas en el regulador del número de revoluciones (2.1) corresponden aproximadamente a los valores de marcha en vacío siguientes:

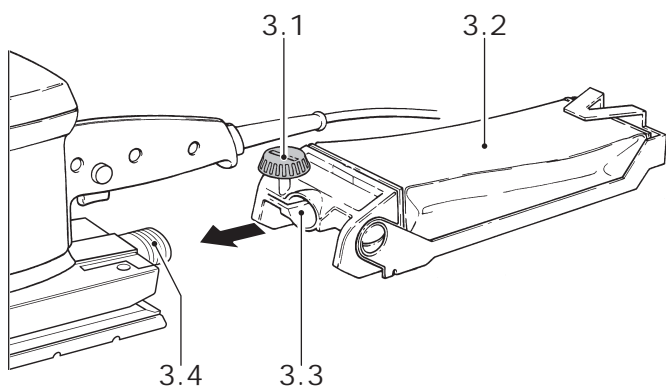
Aspiración

El dispositivo de aspiración de polvo evita altas cargas de polvo en el aire de trabajo y ensuciamientos considerables en el puesto de trabajo.

Dispositivo autoaspirador

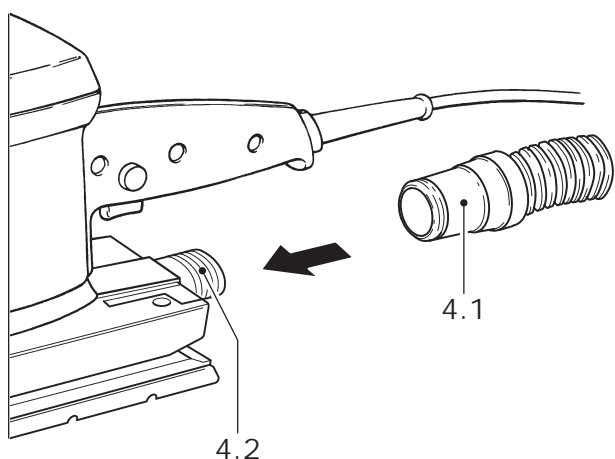
Las máquinas están equipadas como equipo de serie con un dispositivo autoaspirador. Meter el soporte del filtro (3.3) con la abertura hasta el tope sobre la tubuladura de aspiración (3.4) de la máquina y fijarlo con el botón giratorio (3.1).

El polvo de lijado es aspirado por las aberturas de aspiración que se encuentran en el plato de lijado y es recogido en el turbofiltro (3.2). Cuando el turbofiltro se ha llenado hasta el punto de que se nota una merma de la capacidad de aspiración, se deberá proceder a su cambio.



Dispositivo de aspiración externa, con aspirador

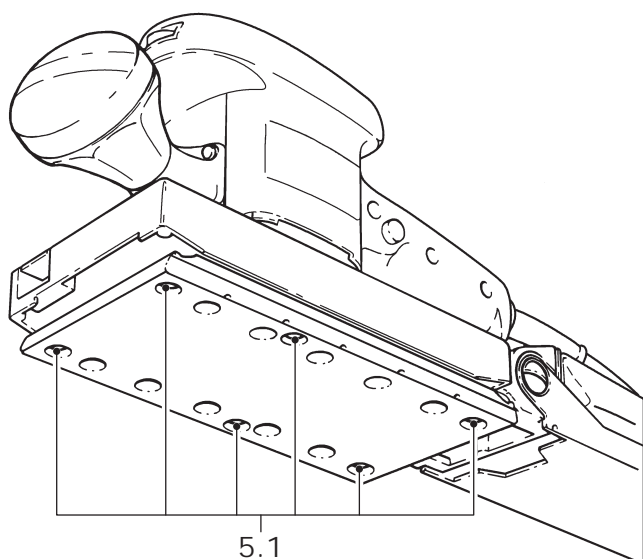
A fin de evitar un frecuente cambio del turbofiltro durante trabajos de lijado relativamente largos, en lugar del dispositivo autoaspirador se puede conectar un aspirador Festool. Para ello se coloca el tubo flexible (Ø 27 mm (4.1)) de un aparato de aspiración Festool sobre la tubuladura de empalme del aparato de aspiración (4.2).



Tacos esmeriladores

El taco esmerilador de serie Stickfix STF 115 x 225 mm puede ser sustituido por el taco esmerilador 115 x 225 mm para papeles tensados. Para ello se requieren seis tornillos de sujeción (5.1) que se fijan con un destornillador de ranura.

Ambos tacos (con y sin capa de Stickfix) también están disponibles con protección de cantos lateral (KS) para evitar el deterioro prematuro de la superficie esmeriladora al pulir cantos.



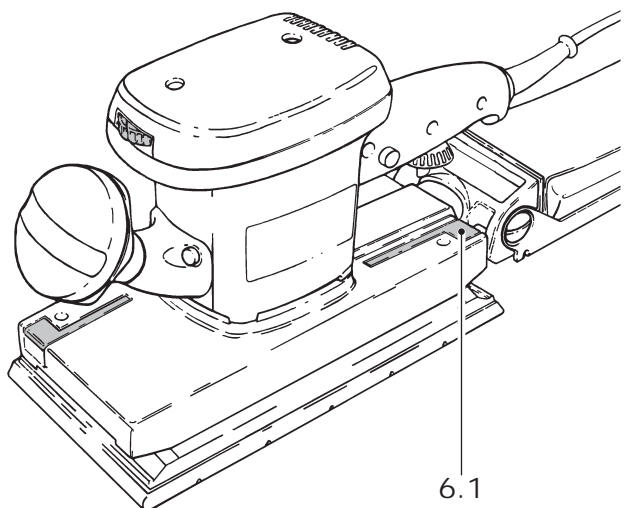
Materia abrasiva

⚠ PRECAUCION ¡Emplee únicamente material abrasivo original de Festool !

Materia abrasiva Stickfix

En los tacos esmeriladores Stickfix se pueden fijar materiales abrasivos adherentes, como, por ejemplo, papel abrasivo Stickfix y la lámina abrasiva. Las materias abrasivas simplemente se colocan presionando sobre el taco esmerilador y, tras su uso, se sacan inmediatamente.

Atención: Utilice Vd. sólo tacos esmeriladores con capa adhesiva de Stickfix que no esté deteriorada. Controle antes de su uso si la capa de motas no ha tomado daño por causa de una utilización adecuada (p. ej., confundición).



Papel abrasivo para tensar

Junto a las materias abrasivas Stickfix Festool ofrece también materias abrasivas no perforadas. Papel abrasivo sin agujeros puede perforarse con el perforador Festool "Lochfix".

Comience tensando el papel en el lado posterior del aparato tras abrir el dispositivo de fijación girando la palanca de tensión (6.1). Introduzca el papel hasta el tope y vuelva a poner la palanca en la posición inicial. Coloque el papel sobre el taco, estírelo hasta delante hasta quedar tensado y engánchelo aliado anterior.

Trabajo con la máquina

⚠ ADVERTENCIA No sobrecargue la máquina presionándola demasiado sobre el objeto a lijar. Un resultado óptimo de lijado lo conseguirá trabajando con una presión de apriete moderada.

La capacidad y calidad de lijado dependen esencialmente de la elección del material abrasivo correcto. Festool ofrece material adhesivo apropiado para todo caso de aplicación (ver el catálogo Festool).

Elaboración de metal:

⚠ ADVERTENCIA Por motivos de seguridad deberán tomarse las medidas siguientes al elaborar metal:

- conexión previa de un interruptor protector de corriente de defecto (FI),
- conexión de la máquina a un aparato de aspiración adecuado,
- limpieza periódica en la máquina para eliminar las aglomeraciones de polvo en el cárter del motor.

Ajuste de la velocidad (RS 2 E)

Para máquinas con sistema electrónico recomendamos realizar los siguientes ajustes de la rueda de ajuste (7.1):

5 - 6

- Lijado con accionamiento máximo
- Lijado de pinturas viejas
- Lijado de madera y de enchapados antes del barnizado
- Lijado intermedio de barniz sobre superficies
- Quitar óxido de superficies con lámina esmeriladora
- Pulir acero/chapa V2A con lámina esmeriladora

4 - 5

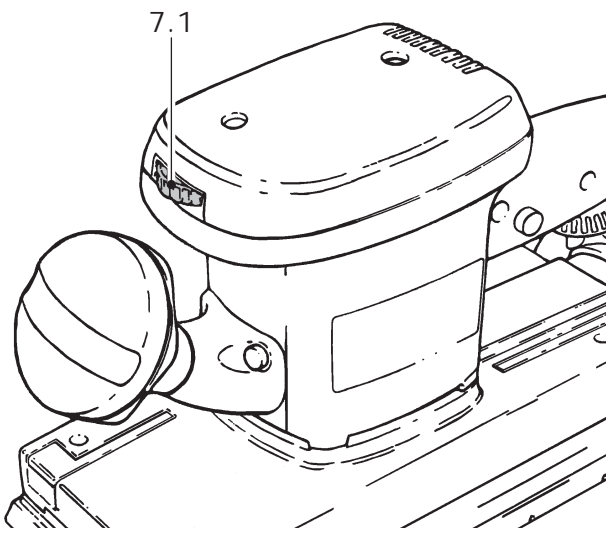
- Lijado de barnizado previo de aplicación fina
- Lijado de madera con velo de lijar
- Redondeado de cantos en piezas de madera
- Alisado de superficies de madera con pintura de imprimación

3 - 4

- Lijado de cantos de madera maciza y de madera enchapada
- Lijado de encajes de ventanas y puertas
- Lijado intermedio de barniz en cantos
- Lijado inicial de ventanas de madera natural con velo de lijado
- Alisado de la superficie de madera antes del barnizado, empleando velo de lijado
- Frotado de superficies barnizadas empleando velo de lijado
- Abrasión o desprendimiento de pasta de cal sobrante empleando el velo de lijado

2 - 3

- Lijado intermedio de pinturas sobre superficies



- barnizadas (coloreadas con nogalina)
- Limpieza de encajes de ventanas de madera natural con velo de lijado

1 - 2

- Lijado de cantos pintados/coloreados con nogalina
- Esmerilado de termoplásticos.

Mantenimiento y conservación

⚠ ADVERTENCIA Todos los trabajos de mantenimiento y de reparación, para los que se tiene que abrir la carcasa del motor (incluido el reemplazo del cable de red), sólo deben ser llevados a cabo por un taller de servicio de asistencia técnica autorizado. Un mantenimiento o reparación de la máquina por personas no autorizadas puede ser la causa de una conexión errónea de los cables conductores de corriente eléctrica o de otros componentes, lo cual puede ser la causa de accidentes con lesiones graves.

⚠ ADVERTENCIA ¡Desenchufar el enchufe de la toma de corriente antes de realizar trabajos en la máquina!

Mantener siempre limpias las ventanas de refrigeración.

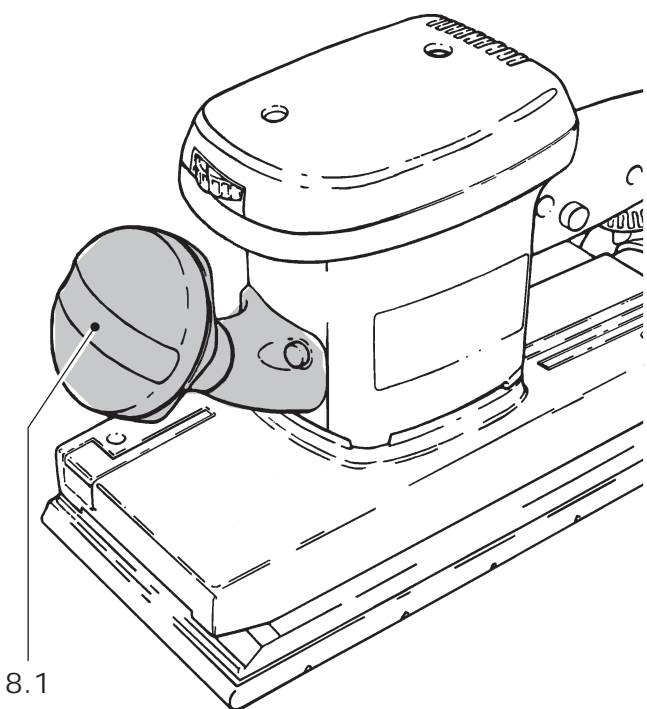
Accesorios, herramientas

⚠ ADVERTENCIA ¡Por razones de seguridad, solamente deben emplearse accesorios y herramientas originales de Festool!

Los números de pedido para los respectivos accesorios y herramientas se encuentran en su catálogo Festool o en la dirección de Internet www.festoolusa.com.

Asidero adicional

Si hay que pulir/lijar hasta una posición cercana a la pared por la parte delantera del aparato, se puede desenroscar el asidero adicional girándolo a la izquierda (8.1).



Systainer

Muchos de los productos Festool se entregan en un embalaje exclusivo denominado "Systainer" que sirve de protección a la herramienta y sus complementos, además de facilitar su almacenamiento. Los Systainer pueden apilarse y encajan unos con otros. Además se adaptan sin problema a cualquier aparato de aspiración CT de Festool.

Para abrir el Systainer:



- Gire el T-loc [9.1] a la posición .

Para cerrar el Systainer:

- Gire el T-loc [9.1] a la posición .

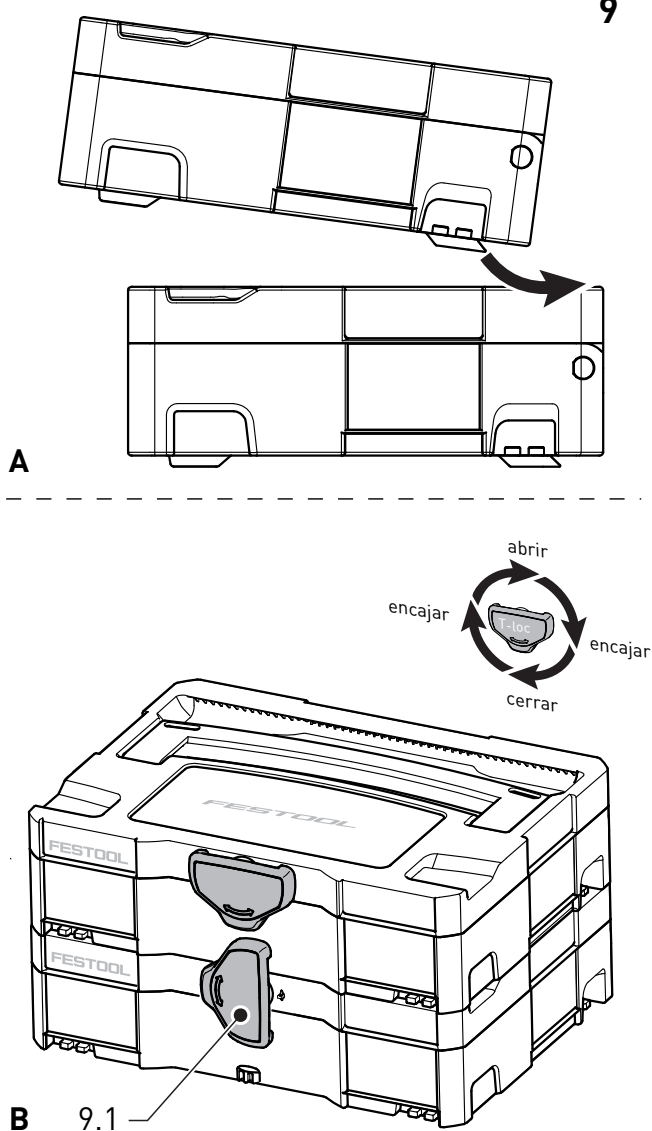
Para encajar dos Systainer:

- Ponga el Systainer sobre un otro (Fig. 9 A).

- Gire el T-loc [9.1] a la posición  o  (Fig. 9 B).

- Los Systainers están encajados y cerrados.

- ① Un Systainer de la nueva generación es encajable encima de un Systainer de la generación anterior con los cuatro enganches del Systainer anterior.



Garantía

Festool ofrece una garantía limitada de 3 años, una de las más sólidas de la industria. Esta garantía será válida con la condición previa de que la herramienta se utilice conforme a las instrucciones de funcionamiento de Festool. Festool garantiza que la herramienta especificada no presentará defectos de material o de acabado durante un periodo de 3 años a partir de la fecha de compra.

Condiciones de la garantía 1+2

Al adquirir una herramienta eléctrica nueva de Festool en un distribuidor autorizado, todos los clientes recibirán de forma gratuita una garantía limitada ampliada (1 año + 2 años = 3 años). Festool será responsable de todos los gastos de envío durante el primer año de vigencia de la garantía. Durante el segundo y tercer año, el cliente será responsable del envío de la herramienta a Festool. Festool pagará la devolución al cliente utilizando el servicio UPS Ground. Todos los servicios de ga-

rantía serán válidos durante 3 años a partir de la fecha de compra que figura en el recibo o factura. Puede que se precise una prueba de compra.

Quedan excluidos de la cobertura de la presente garantía el desgaste normal, los daños ocasionados por un uso indebido, abuso o negligencia; los daños provocados por otra causa que no sea un defecto de material o de acabado. La presente garantía no es aplicable a elementos accesorios tales como hojas de sierra circulares, brocas, puntas de fresadora, hojas de calar, bandas lijadoras y ruedas de amolar. El hecho de utilizar la herramienta a una tensión o una frecuencia diferentes de los valores nominales anulará la garantía. Esto incluye el uso de la herramienta combinada con un transformador. Festool no aprueba ni apoya el uso, con productos Festool, de accesorios o consumibles que no hayan sido contruidos, diseñados y fabricados por Festool. La utilización de cualquier producto que no sea de Festool puede afectar al rendimiento o anular la garantía. Festool no se responsabilizará de ningún daño o pérdida y el usuario asumirá los riesgos y la responsabilidad por el uso de productos no derivados de Festool. Se excluyen asimismo las "piezas de desgaste" como, por ejemplo, cepillos de carbón, láminas de herramientas neumáticas, abrazaderas y juntas de caucho, platos lijadores y artículos de ropa de Festool (gorras y camisetas). Las obligaciones de Festool, según su propio criterio y de acuerdo con la presente garantía, se limitarán a la reparación, sustitución o reembolso del precio de compra de cualquier herramienta eléctrica portátil de Festool en la que se haya detectado un defecto de material o de acabado durante el periodo de garantía. FESTOOL NO SERÁ RESPONSABLE DE NINGÚN DAÑO CONSECUCIONAL, INCIDENTAL O ESPECIAL, INDEPENDIENTEMENTE DEL FUNDAMENTO LEGAL EN EL QUE SE BASE LA RECLAMACIÓN. TODAS LAS GARANTÍAS IMPLÍCITAS DE ACUERDO CON LA LEGISLACIÓN ESTATAL, INCLUIDAS LAS DE COMERCIALIZACIÓN Y ADECUACIÓN PARA UN FIN PARTICULAR, SE LIMITARÁN POR LA PRESENTE A UNA DURACIÓN DE TRES AÑOS.

En determinados estados de EE. UU. y provincias de Canadá, las limitaciones de duración de una garantía implícita no están permitidas, de modo que es posible que la limitación anterior no sea aplicable en su caso. La presente garantía le otorga derechos legales específicos; además, es posible que goce de otros derechos que varíen en los diferentes estados de EE. UU. y provincias de Canadá.

A excepción de cualquier garantía implícita de acuerdo con la legislación estatal o provincial y limitada según lo expuesto anteriormente, la garantía limitada expresa precedente será exclusiva y sustituirá a todas las demás garantías, acuerdos y obligaciones similares de Festool. Festool no concede ninguna otra garantía, ya sea expresa o implícita, para sus herramientas eléctricas portátiles. Esta póliza de garantía únicamente será válida para aquellas herramientas que se hayan adquirido en EE. UU. y Canadá. Las pólizas de garantía de otros países podrán diferir al acudir al servicio de garantía fuera de EE. UU. y Canadá. Determinados países excluyen de la garantía los productos adquiridos fuera de su territorio. Festool se reserva el derecho de rechazar la reparación de cualquier herramienta que no forme parte de la línea de productos de EE. UU./Canadá. Ningún agente, representante, distribuidor, proveedor o empleado de Festool estará autorizado a incrementar o modificar las obligaciones o limitaciones estipuladas en la presente garantía.

